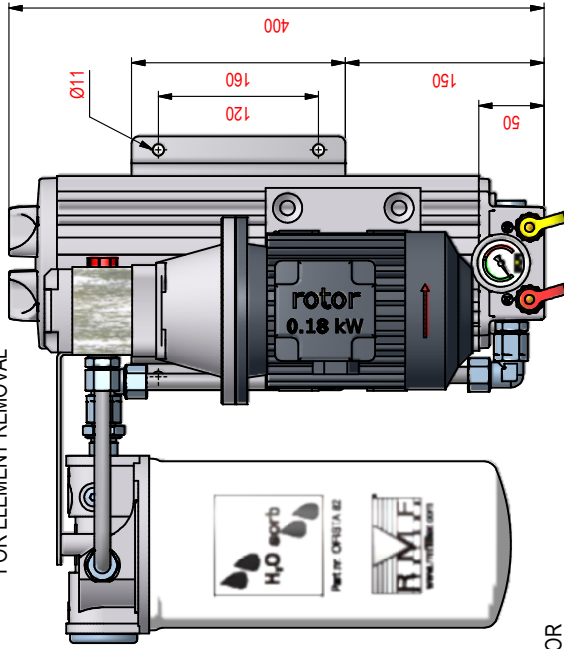


400MM

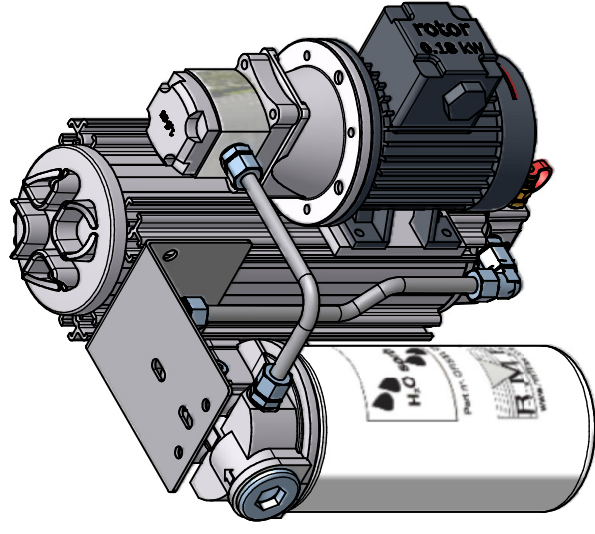
MINIMUM CLEARANCE FOR ELEMENT REMOVAL



40MM

CLEARANCE FOR ELEMENT REMOVAL

MODEL (1 : 4)



2	1	Outlet	G1/2" - Bsp	Female	
1	1	Inlet	G3/8" - Bsp	Female	
Pos	Qty	Description	Size	Material	Remarks
Website : WWW.RMFILTER.COM			Revision		
Designed by M.W.			Date		
Designed date 18-11-2008			DOCUMENT TITLE		
Design state WorkInProgress			RMF OLUW1A30HB0000A		
Checked by			RMF - OFF LINE FILTERS WITH H2O SORB		
Checked date			ARTICLE NUMBER		
PROJECTION			9317591		
SCALE : 1:1			DRAWING NUMBER		
			A3--9-294-12213		
			REVISION		
			Name		

A

B

C

D

E

F

1 2 3 4 5 6 7 8